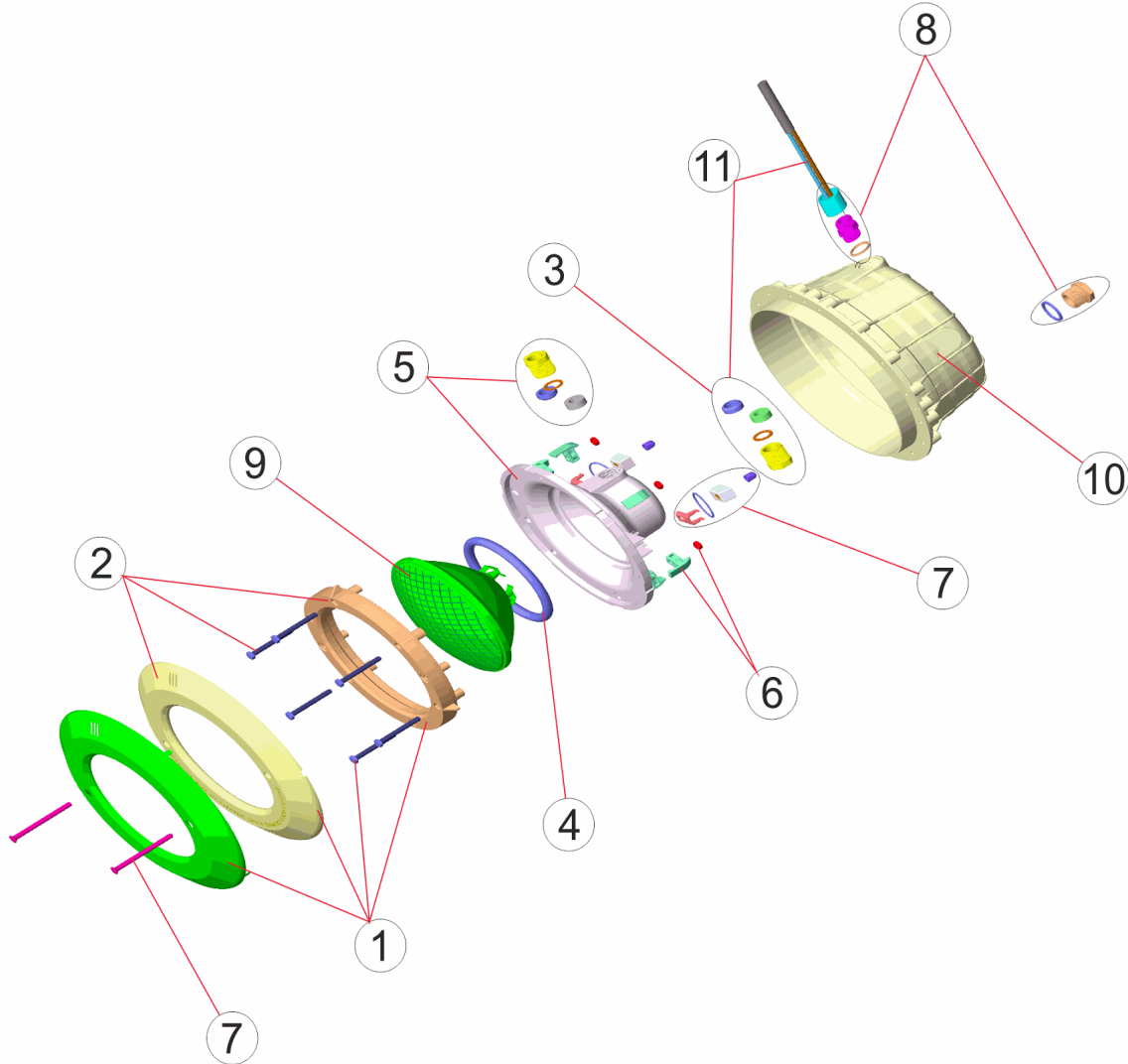


CODE **07843, 07844**

DESCRIPTION: **STAINLESS STEEL AND WHITE LIGHT COVER WITH CABLE**



**ENGLISH**

POS	CODE	DESCRIPTION	POS	CODE	DESCRIPTION
1	* 4403010301	S.S. FACEPLATE AND SECURING RING	7	4403015002	FIXING SET UNDERWATER LIGHT JELLY STD. A2
2	* 4403010302	WHITE FACEPLATE	8	4403010313	BODY PACKING GLAND M-25
3	4403010312	PACKING GLAND M-25	9	4403010058	LIGHTBULB
4	4403010304	LIGHT O RING	10	07838R0006	FLOODLAMP HOUSING
5	4403010305	BACK COVER	11	4403010314	LIGHT CABLE M-25
6	4403010306	LIGHT FIXING CLIP			

CODE **07843, 07844**DESCRIPTION: **STAINLESS STEEL AND WHITE LIGHT COVER WITH CABLE****OBSERVATIONS**

POS	CODE	OBSERVATIONS
1	4403010301	PARA 07843
2	4403010302	PARA 07844